

# SMITH CARREL, INC.

**"Now ADA Compliant!"**



**ALL PRODUCTS  
CPSIA/CARB  
COMPLIANT**

See website for details

**2014**  
[www.smithcarrel.com](http://www.smithcarrel.com)



# Hi-Lo Carrel (ADA Compliant)



**QUICK SHIP!**  
QTY. OF 20 OR  
LESS WITHIN  
72 HOURS!

**10 YEAR  
WARRANTY**

*Adjustable height –  
from keyboard/desk  
to kiosk!*



▲ 02485G Wild Cherry  
Hi-Lo Carrel

## Style Meets Function...

The Hi-Lo Carrel, 30"D x 32 1/2"W, adjusts from a user friendly keyboard height of 27" to a standing Kiosk height of 39" in 1" increments. Available in three popular Wilsonart colors. Includes (2) 3" diameter cutouts for wiring along with a CPU holder (shelf) located under the work surface, 8 1/4"D x 30 1/2"W, with 16 1/4" height clearance for large CPU's. All panels are 3/4" thick thermally fused laminate with 1 1/4" square, 14-gauge, black powder coated legs. ***This quality unit is now ADA compliant.*** The front edge of the work surface has soft rounded 3mm edge banding for arm comfort. Shipped ready to assemble.

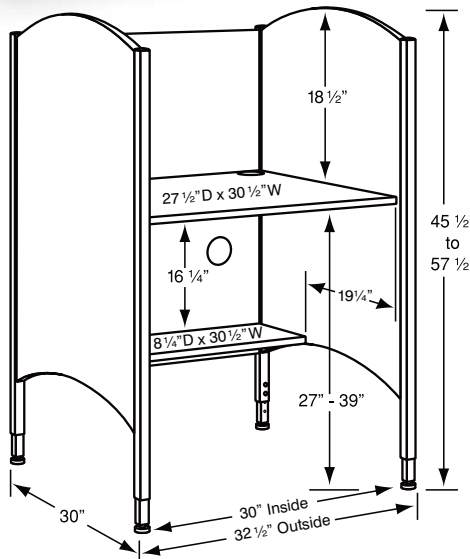
### QUICK FACTS

- Adjusts from 27" keyboard height to 39" standing height
- Includes CPU shelf



▲ 02485H Fusion  
Maple Hi-Lo Carrel

*Shelf for  
computer CPU  
or for storage*



Hi-Lo Carrel Dimensions



▲ 02485G Wild Cherry  
Hi-Lo Carrel

### COLOR CHOICES

*Add color suffix to model number (Ex. 02485D)*  
Feet and lower legs of adjustable and pedestal models are always chrome

Specify Suffix	Panels & Shelf	Work Surface	Corner Post Legs
D	GREY NEBULA	GREY NEBULA	BLACK
G	WILD CHERRY	WILD CHERRY	BLACK
H	FUSION MAPLE	FUSION MAPLE	BLACK



HI-LO CARREL	Type	Model No.	Wt.	List
<i>Specify Color: See Left / Add color suffix to model number</i>				
<b>Adjustable Height</b>	<b>Freight Class 70</b>			
Overall: 30"D x 32 1/2"W x 45-57"H with 27" to 39" high work surface	Starter	02485	128	\$586.00

**SEE PAGE 10 FOR ACCESSORIES**



## Designed By Request...

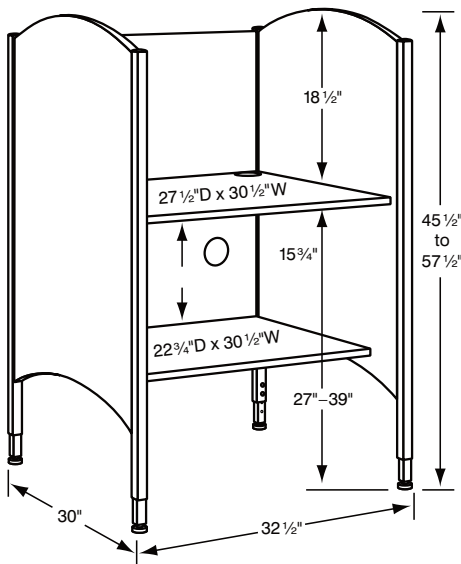
Since the inception of the Hi-Lo Carrel in 2008 (shown on opposite page), Smith Carrel has had numerous requests for a standing unit with space for a printer. This adjustable height Kiosk offers a totally complete stand-alone work station with privacy. The model #02385 is 30"D x 32 1/2"W, and with a standing work surface height of 39" adjustable to a low of 27" in 1" increments. The printer/CPU holder shelf has 15 3/4" height clearance and is 22 3/4"D x 30 1/2"W. Wiring grommets are standard.



**10 YEAR WARRANTY**



**QUICK FACTS**  
 - Standing height  
 - Includes Printer shelf & CPU holder



Kiosk Carrel Dimensions

**QUICK SHIP!**  
 QTY. OF 20 OR LESS WITHIN 72 HOURS!



Shelf for printer and CPU

Adjustable height in 1" increments

▲ 02385D Grey Nebula Kiosk Carrel



▲ 02385G Wild Cherry Kiosk Carrel



▲ 02385H Fusion Maple Kiosk Carrel

KIOSK CARREL	Type	Model No.	Wt.	List
<i>Specify Color: See Left / Add color suffix to model number</i>				
<b>Adjustable Height</b>	<b>Freight Class 70</b>			
Overall: 30"D x 32 1/2"W x 45-57"H with 27" to 39" high work surface	Starter	02385	136	\$609.00

COLOR CHOICES	Add color suffix to model number (Ex. 02385G)		
	Feet and lower legs of adjustable and pedestal models are always chrome		
Specify Suffix	Panels & Shelf	Work Surface	Corner Post Legs
D	GREY NEBULA	GREY NEBULA	BLACK
G	WILD CHERRY	WILD CHERRY	BLACK
H	FUSION MAPLE	FUSION MAPLE	BLACK



**SEE PAGE 10 FOR ACCESSORIES**





# Pedestal Base Carrel

Adjustable height work surface 22" to 30".

3/4" solid core thermally fused laminate panels in your choice of colors shown below. Work surface includes wiring grommet. Full 14-gauge rail system and upper leg sockets. 1 1/4" sq. x 16-gauge stabilizer bar. Finished with baked on epoxy powder. Chrome adjustable legs are 1" x 2" x 16-gauge tubing with 1" leveling glides. Overall dimensions: 24"D x 37"W x 47"H in maximum height position. Panels feature special fasteners for strong, easy assembly. Shipped ready to assemble.

### QUICK FACTS

- This is our most popular carrel
- More leg space for two person conferences at this desk



▲ 01700C Pedestal Carrel



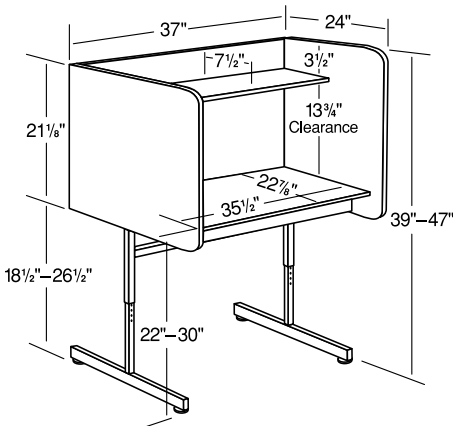
▲ 01700E Pedestal Carrel



▲ 01700A Pedestal Carrel



▲ 01700G Pedestal Carrel



Pedestal Base Carrel Dimensions

**QUICK SHIP!  
QTY. OF 20 OR  
LESS WITHIN  
72 HOURS!**

### COLOR CHOICES

Add color suffix to model number (Ex. 01700A)

Feet and lower legs of adjustable and pedestal models are always chrome

Specify Suffix	Panels & Shelf	Work Surface	Rail System Upper Ped.	"T" Legs
A	OAK	SAND	SAND	CHROME
C	GREY NEBULA	GREY NEBULA	BLACK	CHROME
E	OAK	OAK	BLACK	CHROME
G	CHERRY	CHERRY	BLACK	CHROME

Other color combinations available upon request



### PEDESTAL BASE CARRELS

Model No.	Type	Wt.	List
01700	Starter	107	\$514.00

**SEE PAGE 10 FOR ACCESSORIES**

# Single Modular Carrels

SMITH CARREL, INC.



▲ 01285F Starter

Modular carrels create a semi-private atmosphere that is conducive to learning by reducing distractions and allowing students to focus on their own tasks. Modular design allows for custom installations to suit your needs. Join adder units to starter units to form runs in 3' wide modules, i.e. 6', 9', 12', etc.

All panels are constructed of 3/4" thermally fused laminate over 45 lb. industrial grade particle board. Panels feature special fasteners for strong, easy assembly. Work surface includes wiring grommet for cable management. Includes a 1 3/4"H x 14-gauge full perimeter rail system for support. Legs are 1 1/4" square 14-gauge steel finished in either chrome or baked on black epoxy powder paint. Legs include 1" leveling guides. Shipped ready to assemble.



▲ 01285C Starter Unit with 01295C Adder



**QUICK SHIP!**  
QTY. OF 20 OR  
LESS WITHIN  
**72 HOURS!**

## QUICK FACTS

- Our Model 01607 is the most cost effective single carrel in this catalog

SINGLE MODULAR CARRELS		Type	Model No.	Wt.	List
<i>Specify Color: See Below / Add color suffix to model number</i>					
Fixed Height			Freight Class 70		
Overall: 24"D x 36"W x 46"H with 29" high work surface	Starter	01607	97	\$473.00	
	Adder	01617	80	\$420.00	
Adjustable Height					
Overall: 24"D x 36"W x 46"H in highest position. Work surface adjusts from 24" to 29" high.	Starter	01285	97	\$503.00	
	Adder	01295	80	\$452.00	

## SEE PAGE 10 FOR CARREL ACCESSORIES

COLOR CHOICES		<i>Add color suffix to model number (Ex. 01285A)</i>			
Feet and lower legs of adjustable and pedestal models are always chrome					
Specify Suffix	Panels & Shelf	Work Surface	Rail System	Corner Post Legs	
A	OAK	SAND	SAND	CHROME	
C	GREY NEBULA	GREY NEBULA	BLACK	CHROME	
D	GREY NEBULA	GREY NEBULA	BLACK	BLACK	
E	OAK	OAK	BLACK	CHROME	
F	OAK	OAK	BLACK	BLACK	
G	CHERRY	CHERRY	BLACK	BLACK	
I	CHERRY	CHERRY	BLACK	CHROME	

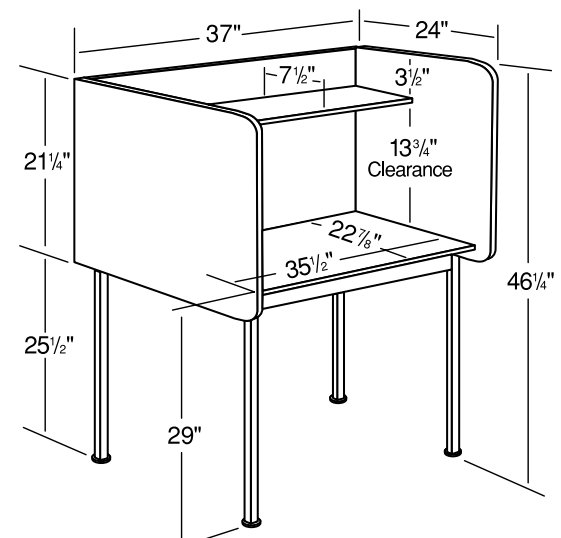
Other color combinations available upon request



Adjustable Height



▲ 01285A Starter

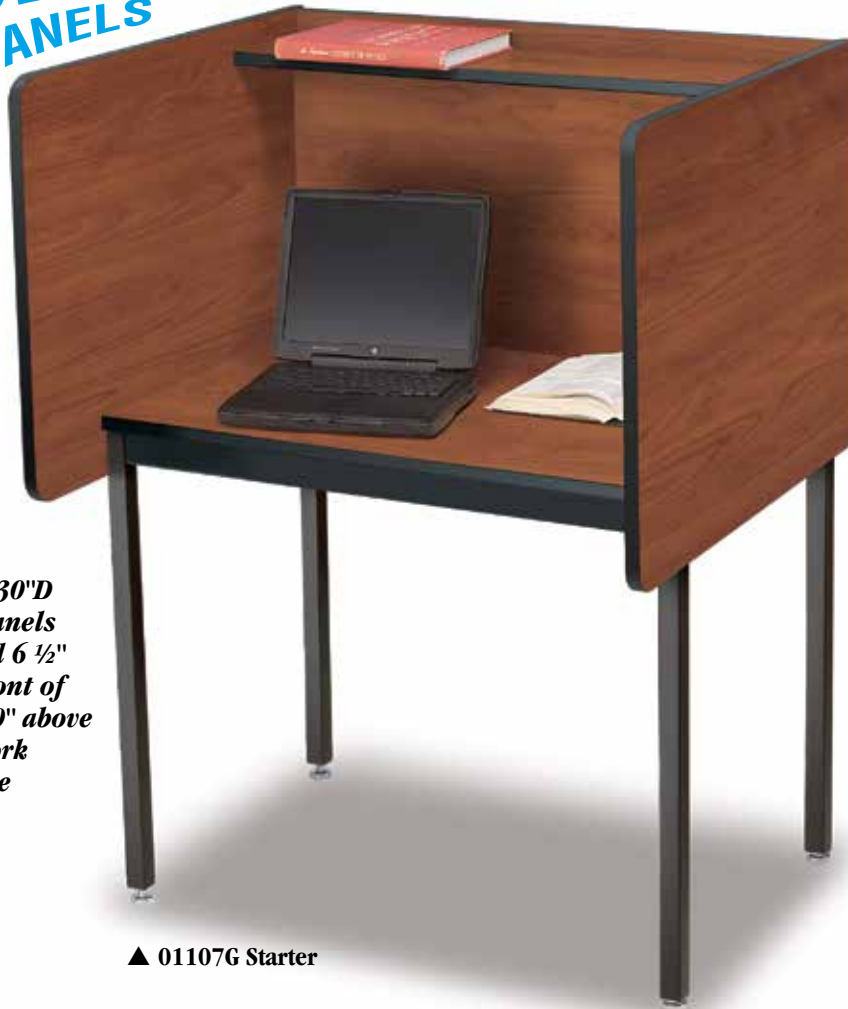


Single Modular Carrel Dimensions



# Maximum Privacy Testing Carrel

**EXTRA DEEP PANELS**



Large 30"D End Panels extend 6 1/2" out front of and 20" above the work surface

▲ 01107G Starter

Modular carrels create a semi-private atmosphere that is conducive to learning by reducing distractions and allowing students to focus on their own tasks. Modular design allows for custom installations to suit your needs. Join adder units to starter units to form runs in 3' wide modules, i.e. 6', 9', 12', etc.

All panels are constructed of 3/4" thermally fused laminate over 45 lb. industrial grade particle board. Panels feature special fasteners for strong, easy assembly. Work surface includes wiring grommet for cable management. Includes a 1 3/4"H x 14-gauge full perimeter rail system for support. Legs are 1 1/4" square 14-gauge steel finished in either chrome or baked on black epoxy powder paint. Legs include 1" leveling guides. Shipped ready to assemble.

**QUICK FACTS**

- Extra privacy for testing areas, detention centers, etc.
- 18" clearance beneath shelf for large monitors

**10 YEAR WARRANTY**



**QUICK SHIP!  
QTY. OF 20 OR LESS WITHIN 72 HOURS!**

MAX PRIVACY CARRELS	Type	Model No.	Wt.	List
---------------------	------	-----------	-----	------

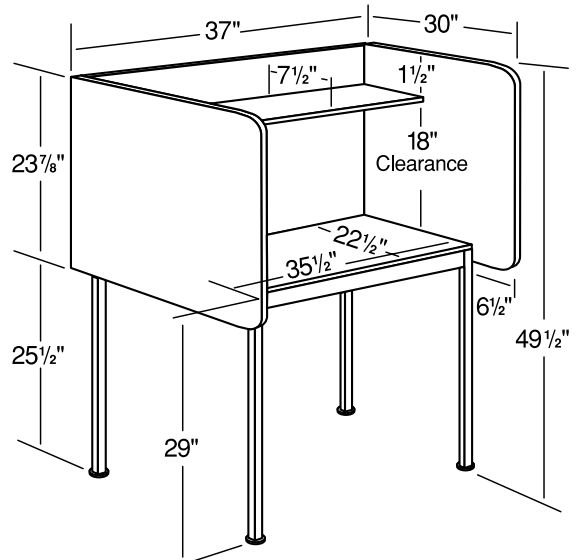
*Specify Color: See Below / Add color suffix to model number*

Fixed Height	Freight Class 70			
Overall: 30"D x 36"W x 49 1/2"H with 29" high work surface	Starter	01107	111	\$514.00
	Adder	01117	90	\$457.00
Adjustable Height				
Overall: 30"D x 36"W x 49 1/2"H in highest position. Work surface adjusts from 24" to 29" high	Starter	01185	111	\$554.00
	Adder	01195	90	\$495.00

## SEE PAGE 10 FOR CARREL ACCESSORIES

COLOR CHOICES		Add color suffix to model number (Ex. 01107D)		
Specify Suffix	Panels & Shelf	Work Surface	Rail System	Corner Post Legs
A	OAK	SAND	SAND	CHROME
C	GREY NEBULA	GREY NEBULA	BLACK	CHROME
D	GREY NEBULA	GREY NEBULA	BLACK	BLACK
E	OAK	OAK	BLACK	CHROME
F	OAK	OAK	BLACK	BLACK
G	CHERRY	CHERRY	BLACK	BLACK
I	CHERRY	CHERRY	BLACK	CHROME

Other color combinations available upon request



Maximum Privacy Modular Carrel Dimensions

# 30"D Modular Computer Carrel

SMITH CARREL, INC.



Modular carrels create a semi-private atmosphere that is conducive to learning by reducing distractions and allowing students to focus on their own tasks. Modular design allows for custom installations to suit your needs. Join adder units to starter units to form runs in 3' wide modules, i.e. 6', 9', 12', etc.

All panels are constructed of 3/4" thermally fused laminate over 45 lb. industrial grade particle board. Panels feature special fasteners for strong, easy assembly. Work surface includes wiring grommet for cable management. Includes a 1 3/4"H x 14-gauge full perimeter rail system for support. Legs are 1 1/4" square 14-gauge steel finished in either chrome or baked on black epoxy powder paint. Legs include 1" leveling guides. Shipped ready to assemble.

## QUICK FACTS

- 28 1/2"D work surface for large monitor and keyboard or large study area
- 18" clearance beneath shelf for large monitors

## EXCELLENT FOR LARGE MONITORS!



*Includes 3" wiring grommet*

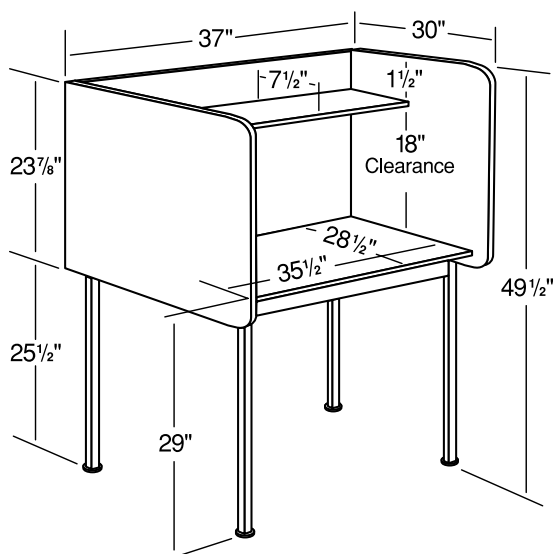
▲ 01385D Starter



*Optional  
01530 20"  
Keyboard*

*Optional  
01531 CPU  
Holder*

▲ 01385D Starter with Accessories



Modular Computer Carrel Dimensions

COMPUTER CARRELS	Type	Model No.	Wt.	List
<i>Specify Color: See Below / Add color suffix to model number</i>				
<b>Fixed Height</b>		<b>Freight Class 70</b>		
Overall: 30"D x 36"W x 49 1/2"H with 29" high work surface.	Starter	01307	122	\$555.00
	Adder	01317	96	\$493.00
<b>Adjustable Height</b>				
Overall: 30"D x 36"W x 49 1/2"H in highest position. Work surface adjusts from 24" to 29" high.	Starter	01385	122	\$589.00
	Adder	01395	96	\$538.00

## SEE PAGE 10 FOR CARREL ACCESSORIES

Specify Suffix	COLOR CHOICES <i>Add color suffix to model number (Ex. 01307B)</i>			
	Panels & Shelf	Work Surface	Rail System	Corner Post Legs
A	OAK	SAND	SAND	CHROME
C	GREY NEBULA	GREY NEBULA	BLACK	CHROME
D	GREY NEBULA	GREY NEBULA	BLACK	BLACK
E	OAK	OAK	BLACK	CHROME
F	OAK	OAK	BLACK	BLACK
G	CHERRY	CHERRY	BLACK	BLACK
I	CHERRY	CHERRY	BLACK	CHROME

Other color combinations available upon request







# Teaching Carrel

## Technology Workstation 42"W

### Patented Design

This very attractive and highly functional unit is designed to provide privacy while allowing for interacting instruction. Single face modular design allows for the addition of adder units to form rows to fit your requirements. Multiple uses such as, but not limited to: computer labs, language labs, training rooms, classrooms, telemarketing centers, offices, etc.

- 41 1/2"W work surface provides room for computer **and** work space.
- 1" thick solid core thermally fused laminate panels with w/2mm PVC edging.
- 26 1/2"H angled work surface is 41 1/2"W ( see Fig. 1), angled from 29 1/2"D on the left side to 23 1/2"D on the right side. Includes 3" wiring grommet and a steel retaining rim across the front edge.
- End panels are 30"D x 42"H and include a 3" wiring grommet and are equipped with four nickel-plated steel adjustable 1" glides.
- 8"H x 4"D x 41 1/2"W 18-gauge steel powder coated cable tray/modesty panel is standard equipment and is serviced from underneath the desk.
- **Optional Equipment** available to purchase includes; powder coated steel CPU holder and locking cable tray door and plexiglas back panel.
- Shipped ready to assemble.



Students enjoy privacy while receiving instruction. One starter unit with four add-on units attached creates an organized environment with the wire management system safely storing all cords out of the way.

### TEACHING CARREL

*Specify: Grey Nebula/Grey or Solar Oak/Sand*

(Overall: 30"D x 42"W x 42"H x 26 1/2" work surface height.)

Model	Type	Weight	List
01800	Starter (Overall width: 43 1/2")	134	\$623.00
01801	Adder (Overall width: 42 1/2")	98	\$542.00

### Optional Equipment

*Specify: Grey or Sand for CPU Holder and Door*

Model	Type	Weight	List
01830	CPU Holder Size: 10"W x 20"D x 20"H	14	\$112.00
01831	Locking Wire Management Door	9	\$82.00
01833	Plexiglas Back Panel 13" high	4	\$116.00



**Model 01800 ▶**  
starter with 01801  
adder shown in  
Grey Nebula / Grey



◀ Starter with  
adder shown in  
Solar Oak / Sand



**Optional**  
01833 Plexiglas  
Back Panel now  
available

**Optional**  
01831 Locking Wire  
Management Door  
& Model 01830 CPU  
Holder

**ANGLED  
WORK SURFACE  
DESIGN SAVES  
FLOOR SPACE!**

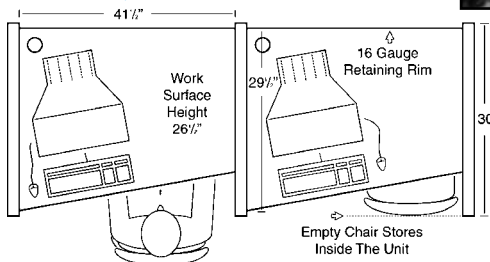


Figure 1 - Teaching Carrel I Overhead View

### Laminate and Powder Paint Combinations



Solar Oak  
w/Sand Metal



Grey Nebula  
w/Lt. Grey Metal



# Teaching Carrel II

## Technology Workstation 36"W

SMITH CARREL, INC.



**10 YEAR WARRANTY**

26 1/2"H x 1" thick rectangular work surface

1" thick end panels 30"D x 42"H

3" wiring grommets in work surface and side panels



Nickel-plated steel 1" adjustable glides

2mm PVC Edging

(Standard) Equipment Locking Wire Management Access Tray can be mounted to face front or rear as needed

Model 01900 starter with 01901 adder shown in Solar Oak with sand powder coat paint

Uniquely ***different*** from the original "Teaching Carrel"

- Smaller size for tighter spaces
- Rectangular work surface 29 1/2"D x 35 1/2"W. See Figure 2.
- Locking front or rear panel door is now standard equipment to provide hassle free access to cords and cables.
- Optional plexiglas back panel to reduce sound distractions are now available for both Teaching Carrels.
- Shipped ready to assemble.



Model 01900 starter with ► 01901 adder shown with optional 01830 CPU Holders

### TEACHING CARREL II

*Specify: Grey Nebula/Grey or Solar Oak/Sand*

(Overall: 30"D x 36"W x 42"H x 26 1/2" work surface ht.)

Model	Type	Weight	List
01900	Starter (Overall width: 37 1/2")	135	\$665.00
01901	Adder (Overall width: 36")	99	\$572.00

### Optional Equipment

*Specify: Grey or Sand for CPU Holder*

Model	Type	Weight	List
01830	CPU Holder Size: 10"W x 20"D x 20"H	14	\$112.00
01933	Plexiglas Back Panel 13" high	4	\$116.00

Laminate and Powder Paint Combinations



Solar Oak w/Sand Metal



Grey Nebula w/Lt. Grey Metal

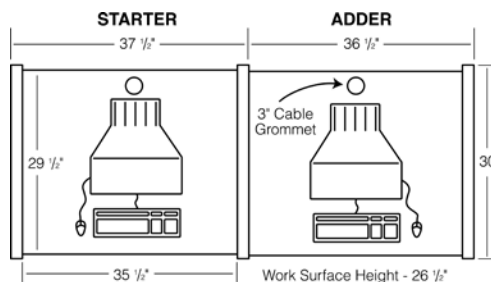


Figure 2 - Teaching Carrel II Overhead View

*Optional* 01933 Plexiglas Back Panel



*Optional* 01830 CPU Holder



**CABLE  
MANAGEMENT  
TRAY STANDARD**



▲ 2 each Model 01561C 30"x60" tables with 01575C 5-sided Corner Table



**HIGH PRESSURE  
LAMINATE**

*Optional  
01531 CPU Holder*

▲ 01556C Oak, 24x72 Computer Table shown with options 01530 Keyboard Trays, 01531 CPU Holder

*Specify Color: Bannister Oak or Grey Nebula  
Other Wilsonart laminates available, call for details*

*Chrome finish or black baked on powder finish*



▲ 01556B Oak

**QUICK  
SHIP!**

## 1500 SERIES COMPUTER TABLES

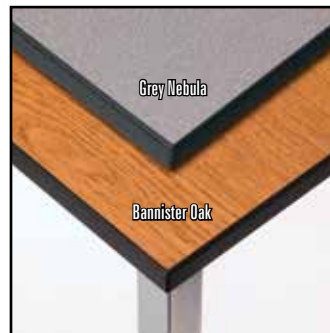
### Adjustable Height Models

Black	Chrome	Description	Height	Wt.	List
01549B	01549C	30"D x 48"W Top	25"-29"	76	\$415.00
01554B	01554C	24"D x 48"W Top	25"-29"	67	\$395.00
01555B	01555C	24"D x 60"W Top	25"-29"	76	\$433.00
01556B	01556C	24"D x 72"W Top	25"-29"	88	\$470.00
01561B	01561C	30"D x 60"W Top	25"-29"	88	\$475.00
01573B	01573C	30"D x 72"W Top	25"-29"	103	\$512.00
01575B	01575C**	30"D x 48"W 5-sided	25"-29"	105	\$670.00

### Fixed Height Models

01548B	01548C	30"D x 48"W Top	29" Fixed	76	\$387.00
01551B	01551C	24"D x 48"W Top	29" Fixed	67	\$366.00
01552B	01552C	24"D x 60"W Top	29" Fixed	76	\$405.00
01553B	01553C	24"D x 72"W Top	29" Fixed	88	\$441.00
01560B	01560C	30"D x 60"W Top	29" Fixed	88	\$446.00
01572B	01572C	30"D x 72"W Top	29" Fixed	103	\$492.00
01574B	01574C**	30"D x 48"W 5-sided	29" Fixed	105	\$641.00

\*\*5 Sided Corner Table is not for use as a stand alone unit. It is equipped with two wire mgmt. trays, one on each 48" side, and four legs, but must be connected to a main unit on each 30" side.



Welded corner post legs interlock with the rail system to create this non-wobble connection.



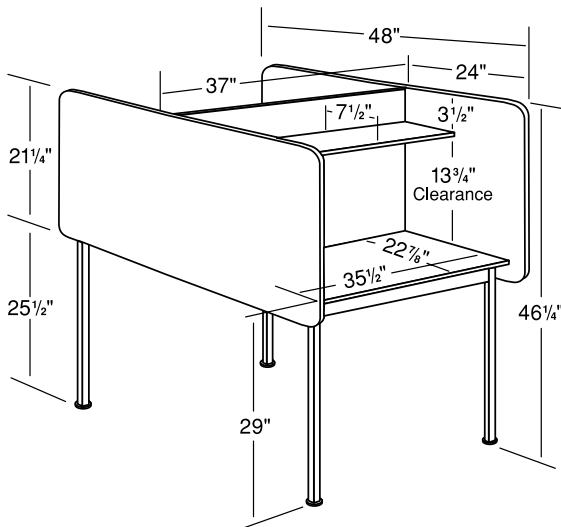
**QUICK FACTS**  
 - Double carrels are the most cost effective per work station



Modular carrels create a semi-private atmosphere that is conducive to learning by reducing distractions and allowing students to focus on their own tasks. Modular design allows for custom installations to suit your needs. Join adder units to starter units to form runs in 3' wide modules, i.e., 6', 9', 12', etc.

All panels are constructed of 3/4" thermally fused laminate over 45 lb. industrial grade particle board. Panels feature special fasteners for strong, easy assembly. Work surface includes wiring grommet for cable management. Includes a 1 3/4"H x 14-gauge full perimeter rail system for support. Legs are 1 1/4" square 14-gauge steel finished in either chrome or baked on black epoxy powder paint. Legs include 1" leveling guides. Shipped ready to assemble.

▲ 01627A Starter



Double Modular Carrel Dimensions

**DOUBLE MODULAR CARRELS**      Type    Model No.    Wt.    List

*Specify Color: See Below / Add color suffix to model number*

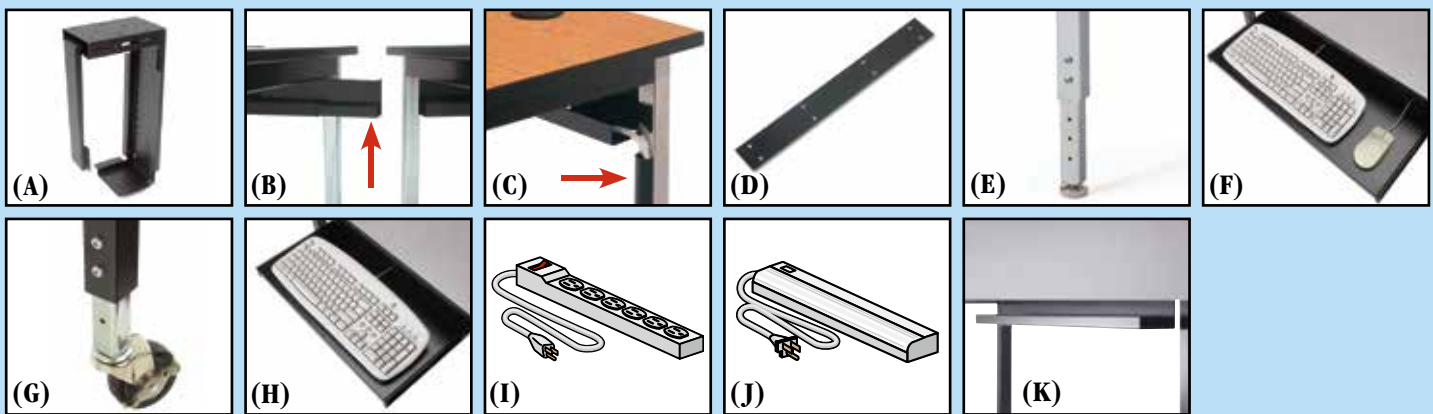
Fixed Height		Type	Model No.	Wt.	List
Overall: 48"D x 36"W x 46"H	Starter	01627	153	\$682.00	
with 29" high work surface	Adder	01637	127	\$560.00	
Adjustable Height		Type	Model No.	Wt.	List
Overall: 48"D x 36"W x 46"H in highest position. Work surface adjusts from 24" to 29" high.	Starter	01286	153	\$720.00	
	Adder	01296	127	\$617.00	

Specify Suffix	COLOR CHOICES <i>Add color suffix to model number (Ex. 01286C)</i>			
	Feet and lower legs of adjustable and pedestal models are always chrome	Panels & Shelf	Work Surface	Rail System
A	OAK	SAND	SAND	CHROME
C	GREY NEBULA	GREY NEBULA	BLACK	CHROME
D	GREY NEBULA	GREY NEBULA	BLACK	BLACK
E	OAK	OAK	BLACK	CHROME
F	OAK	OAK	BLACK	BLACK

Other color combinations available upon request



## Accessories for Carrels and 1500 Series Computer Tables

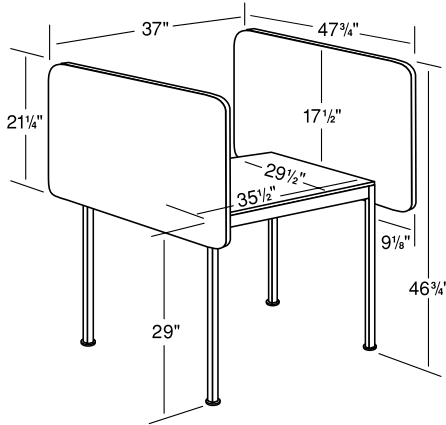


Model	Accessory Description	Wt.	List	Model	Accessory Description	Wt.	List
(A) 01531	CPU Holder for 24" or 30" deep units Adjustable to any size CPU	7	\$102.00	(G) 01528	Set of (4) 3" Swivel Casters/2 Locking, must be used with Adj. Ht. Legs (Adj. Ht. 29" - 32")	1	\$64.00
(B) 01522	Wiring Bridge/Black Powder Coat	2	\$34.00	(H) 01530	20"W x 11 3/4"D Keyboard Tray	10	\$113.00
(C) 01523	"D" Cord Management Plastic Extrusion	1	\$ 9.00	(I) 01650	6 Outlet Surge Protected Power Strip	2	\$44.00
(D) 01524	2 3/8" x 18" Tie Plate for 1500 Series Tables	1	\$11.00	(J) 01651	15 Watt Fluorescent Light Fixture	4	\$60.00
(E) 01526	Set of (4) ADA 25" - 35" Leg Inserts	6	\$39.00	(K) 01654	Wire Management Tray for Carrels	7	\$36.00
(F) 01527	25 1/2"W x 11 3/4"D Keyboard/Mouse Tray	11	\$113.00				



# Conference Carrel

The Conference Carrel is a one of a kind unit designed for use when one-on-one interaction is required. The extra long side panels extend 9" past the work surface on both the front and back sides providing users with a private setting. The work surface is 29 1/2" deep x 35 1/2" wide and available in adjustable or fixed height. Shipped ready to assemble.



**SIDE PANELS  
EXTEND  
ON BOTH SIDES 9 1/8"**

Conference Carrel Dimensions



▲ 01085C Starter

## CONFERENCE CARRELS

*Specify Color: See Below / Add color suffix to model number*

Type	Model No.	Wt.	List
<b>Fixed Height</b>			
<b>Freight Class 70</b>			
Overall: 48"D x 37"W x 46 3/4"H	Starter	01027	123 \$584.00
with 29" high work surface	Adder	01037	94 \$488.00
<b>Adjustable Height</b>			
Overall 48"D x 37"W x 46 3/4" H	Starter	01085	123 \$617.00
in highest position. Work surface	Adder	01095	94 \$508.00
adjusts from 24" to 29" high			

### COLOR CHOICES

*Add color suffix to model number (Ex. 01085C)*

Feet and lower legs of adjustable and pedestal models are always chrome

Specify Suffix	Panels & Shelf	Work Surface	Rail System	Corner Post Legs
A	OAK	SAND	SAND	CHROME
C	GREY NEBULA	GREY NEBULA	BLACK	CHROME
D	GREY NEBULA	GREY NEBULA	BLACK	BLACK

Other color combinations available upon request



Medium Oak



Grey Nebula



(877) 410-6994 toll free  
(972) 272-6994 phone  
(972) 272-7208 fax

3727 Marquis Dr., #101  
Garland, TX 75042

info@smithcarrel.com

www.smithcarrel.com



Member  
NATIONAL SCHOOL SUPPLY  
AND EQUIPMENT ASSOCIATION

**72 Hour Shipping!**